

Receivers Compatible with SWM Technology

Winegard mobile satellite TV antennas operate with Multi-switch technology and require separate accessories to operate with DIRECTV Single Wire Multi-switch (SWM) only technology receivers.

For an up-to-date list of DIRECTV DVR and non-DVR receiver models that are only compatible with SWM technology, visit www.winegard.com/directv. This website also lists Winegard mobile satellite TV antennas that are compatible with DIRECTV.


If unsure of your receiver model, check the back of the receiver or the inside front door of the smart card slot. See below.



SWM Kit Parts

Winegard mobile satellite TV antennas require separate accessories to operate with DIRECTV SWM only technology receivers. For proper SWM operation with Winegard mobile satellite TV antennas, the SWM8, DIRECTV PI-28 or PI-29 power supply and DIRECTV approved splitter (typically 2, 4, 8 port) must be used. Failure to use this equipment may cause issues with your system.



 The DIRECTV power insert PI-28 and PI-29 may damage a DIRECTV receiver if improperly connected in the system. The SWM output of the power inserter should never be directly applied to the input of a receiver. During installation, verify all wiring before applying power to the power inserter.

Calculating Tuners for SWM Installation

DIRECTV SWM8 allows the use of up to eight tuners with a Winegard satellite antenna. Count the tuners in your SWM installation to check that there are less than or equal to eight tuners being used with SWM8.

Keep in mind the following when counting the number of tuners:

- A non-DVR receiver counts as one tuner.
- A DVR receiver has dual tuners and counts as two tuners (even though only one coax cable is needed to connect to a DVR receiver). The exception to this rule is the HR34 DVR receiver, which has 5 tuners and counts as 5 tuners when calculating tuners for a SWM installation.

Total tuners for SWM8 installation = (Number of non-DVR receivers) + (2 x Number of DVR receivers)

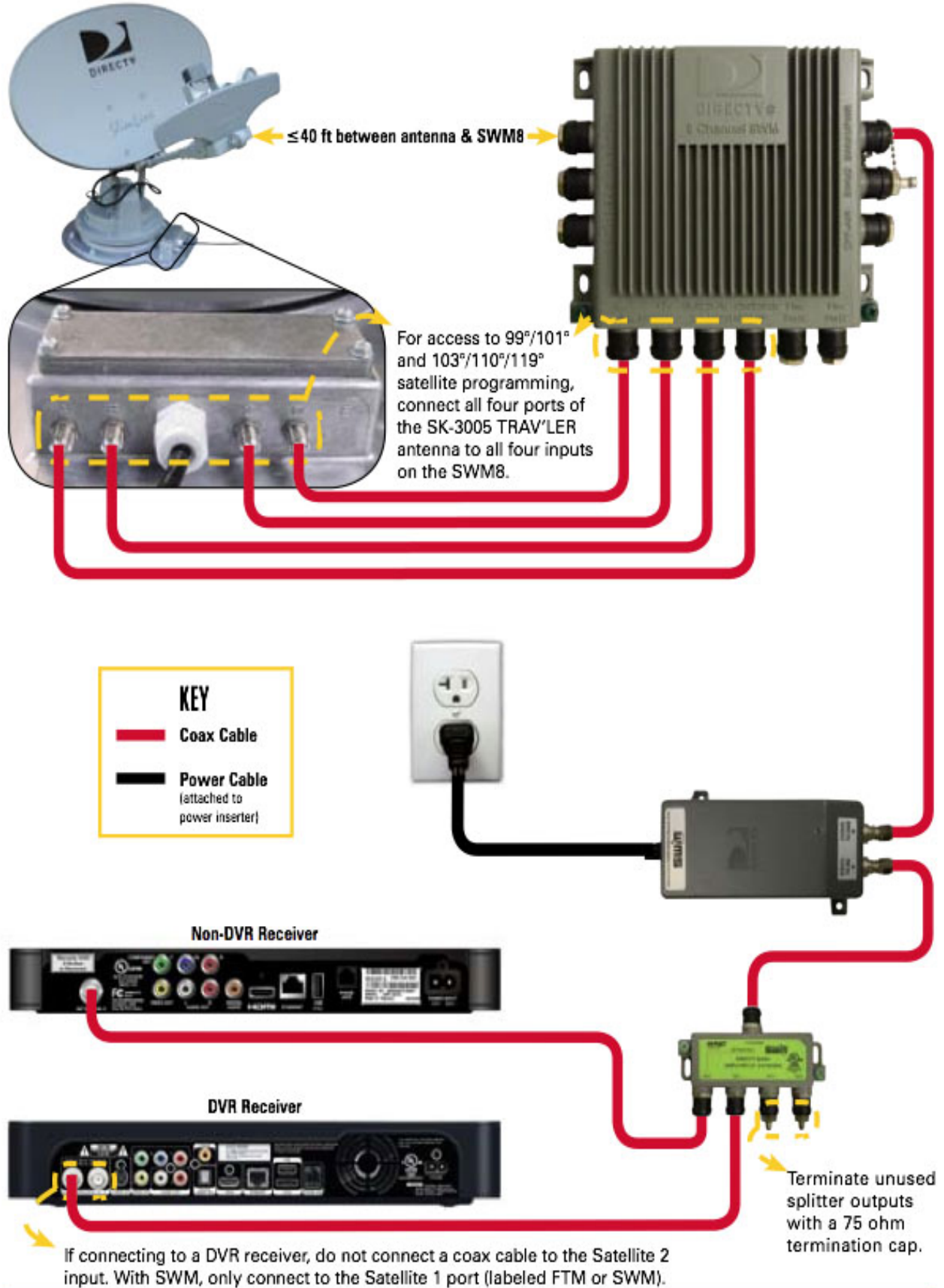
Total tuners ≤ 8 for SWM8 installation

Maximum of 8 non-DVR receivers

Maximum of 4 DVR receivers

Example: Two non-DVR receivers and three DVR receivers are being used for a SWM8 installation.
(1 x 2 non-DVR receivers) + (2 x 3 DVR receivers) = 8 total tuners for SWM8 installation

Wiring Diagram for Winegard SK-3005 TRAV'LER Antenna with DIRECTV SWM8



DIRECTV Receiver Settings

Receiver settings are listed below for Winegard antennas using SWM technology.

For more information on receiver setup and complete step-by-step instructions, refer to your satellite TV antenna manual or go online to <http://www.winegard.com/receivers/setupguide.php>.

Winegard SK-3005 TRAV'LER Antenna with SWM Technology

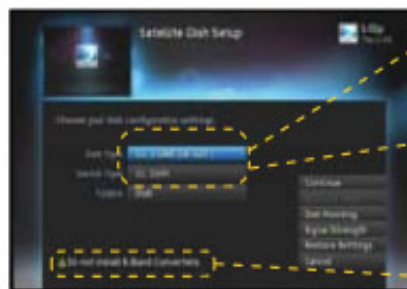


Set the Dish Type for **04: Slimline-5**.

Set the Switch Type for **01: SWM**.

Note that B-Band Converters should not be used with SWM Technology.

Winegard SK-3003 TRAV'LER Antenna with SWM Technology



Set the Dish Type for **02: 3-LNB (18"x20")**.

Set the Switch Type for **01: SWM**.

Note that B-Band Converters should not be used with SWM Technology.

Winegard Domed Antennas, MP1 Antenna, Crank-ups, Dish & Tripod Kits with SWM Technology



Set the Dish Type for **01: Round (18")**.

Set the Switch Type for **01: SWM**.

Note that B-Band Converters should not be used with SWM Technology.