


Additional KVH HDTV Tri-Sat AutoSwitch™ Installation Instructions

The following instructions explain how to install an additional Tri-Sat AutoSwitch to upgrade a TracVision® system that has a KVH HDTV Tri-Sat AutoSwitch Kit installed.

Since any DIRECTV H21-200 or H20-600 receiver equipped with a Tri-Sat AutoSwitch can control satellite selection, when multiple Tri-Sat AutoSwitches are installed, you can control satellite selection from multiple Tri-Sat AutoSwitch-equipped receivers. Simply connect components as described for your appropriate configuration (see below). No additional setup or software configuration is required.

	CAUTION
For your own safety, be sure to disconnect power from all wired components before performing this procedure.	

Use the table below to locate the wiring diagrams for your TracVision Model.

For TracVision Model:	Refer To:
R6/R6DX/M3/M3DX	<i>Appendix A on page 3</i>
R5SL/R4SL/R5/R4	<i>Appendix B on page 9</i>
M5/M7 - Multi-Sat Control Panel (MCP) Configuration	<i>Appendix C on page 15</i>
M5/M7 - GyroTrac™ Configuration	<i>Appendix D on page 21</i>
M5/M7 - Switchplate Configuration	<i>Appendix E on page 27</i>
M9	<i>Appendix F on page 33</i>

NOTE: When two or more Tri-Sat AutoSwitches are installed, any Tri-Sat AutoSwitch-equipped receiver can control satellite selection. The last Tri-Sat AutoSwitch to change channels controls satellite selection until another Tri-Sat AutoSwitch-equipped receiver changes channels.

NOTE: Each Tri-Sat AutoSwitch-equipped DIRECTV receiver must be configured as an "Oval, 3, LNB" dish type. Refer to the receiver manual for configuration details.

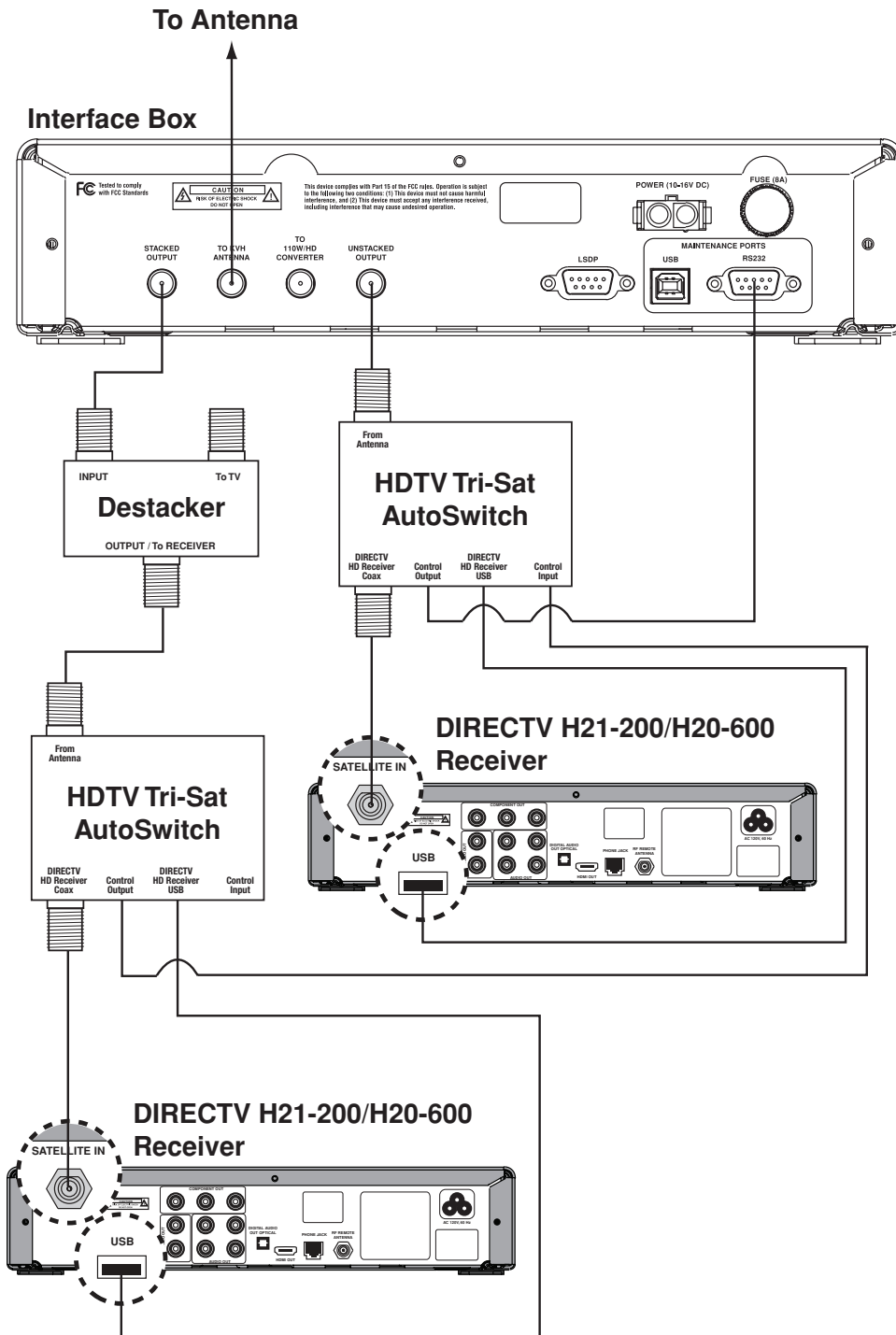


Appendix A - TracVision R6/R6DX/M3/M3DX Wiring Diagrams

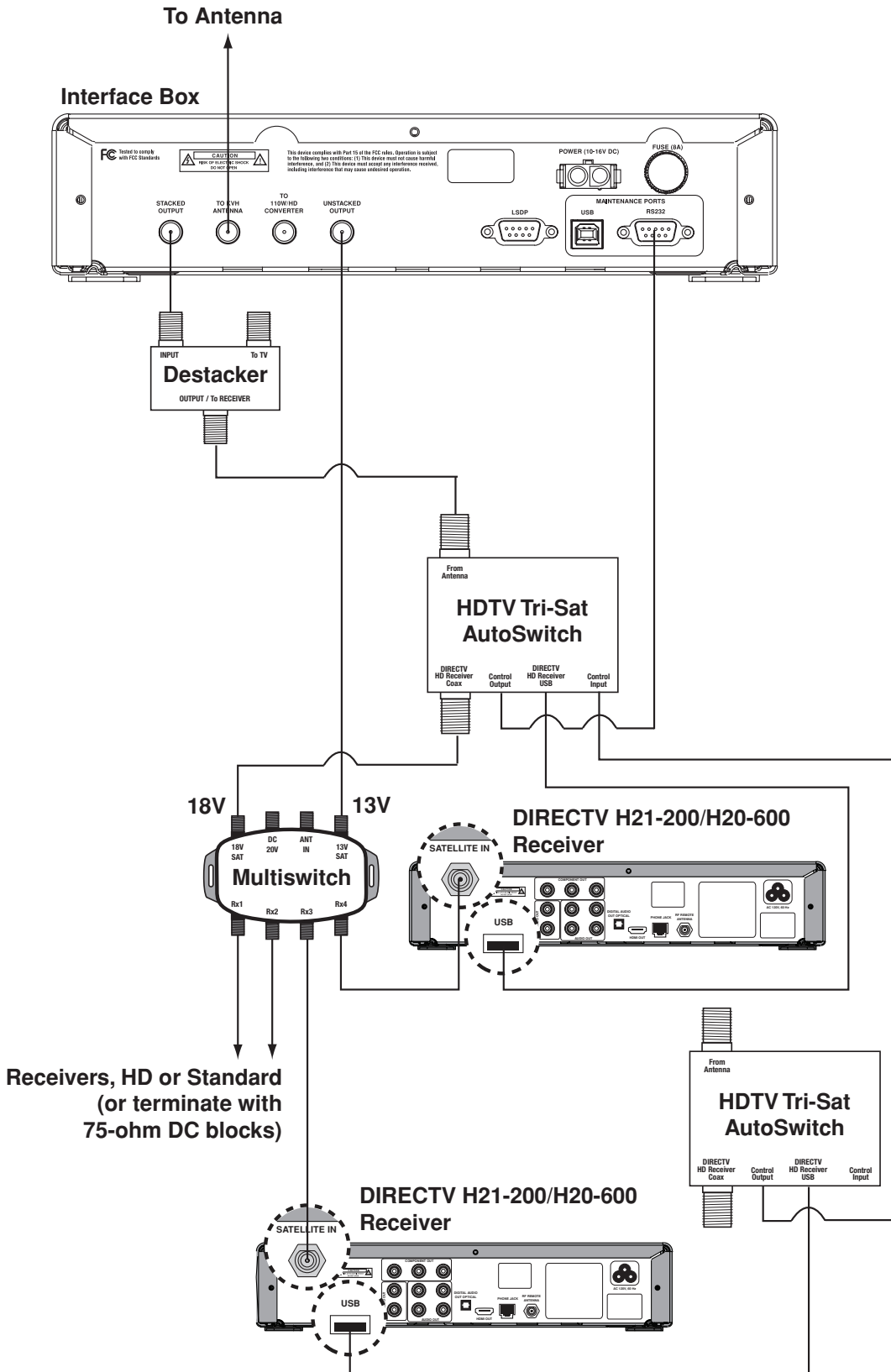
Use the table below to determine the wiring diagram for your configuration.

To Install:	Refer to:
HDTV Tri-Sat AutoSwitch Kit, 2 DIRECTV H21-200 or H20-600 Receivers, and 1 Additional Tri-Sat AutoSwitch	<i>Page 5</i>
HDTV Tri-Sat AutoSwitch Kit, 2 DIRECTV H21-200 or H20-600 Receivers, 1 Additional Tri-Sat AutoSwitch, and 1 or 2 Additional Receivers	<i>Page 6</i>
HDTV Tri-Sat AutoSwitch Kit, 2 DIRECTV H21-200 or H20-600 Receivers, 1 Additional Tri-Sat AutoSwitch, and 1 DVR	<i>Page 7</i>

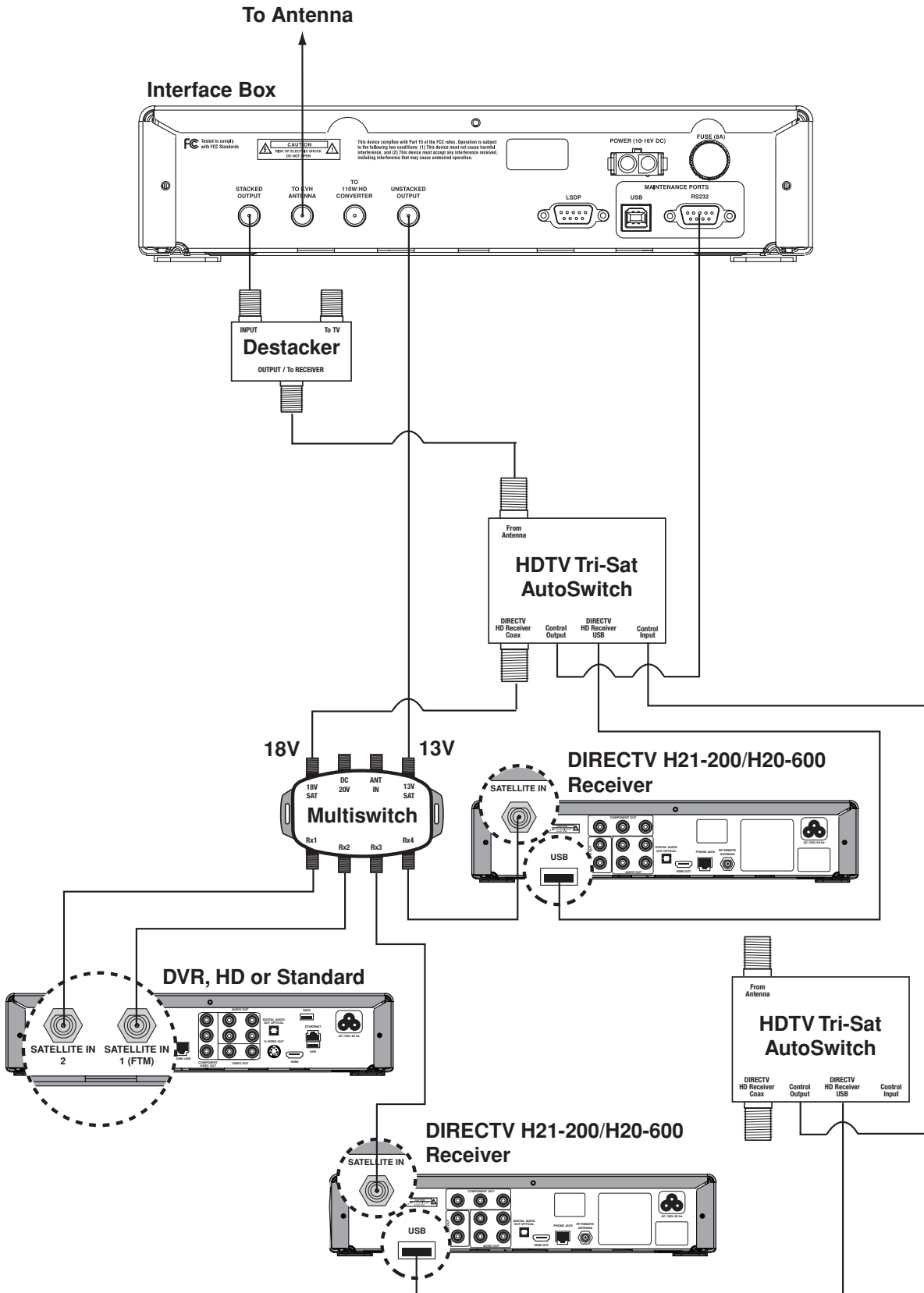
Wiring Diagram - HDTV Tri-Sat AutoSwitch Kit, 2 DIRECTV H21-200 or H20-600 Receivers, and 1 Additional Tri-Sat AutoSwitch



Wiring Diagram - HDTV Tri-Sat AutoSwitch Kit, 2 DIRECTV H21-200 or H20-600 Receivers, 1 Additional Tri-Sat AutoSwitch, and 1 or 2 Additional Receivers



Wiring Diagram - HDTV Tri-Sat AutoSwitch Kit, 2 DIRECTV H21-200 or H20-600 Receivers, 1 Additional Tri-Sat AutoSwitch, and 1 DVR



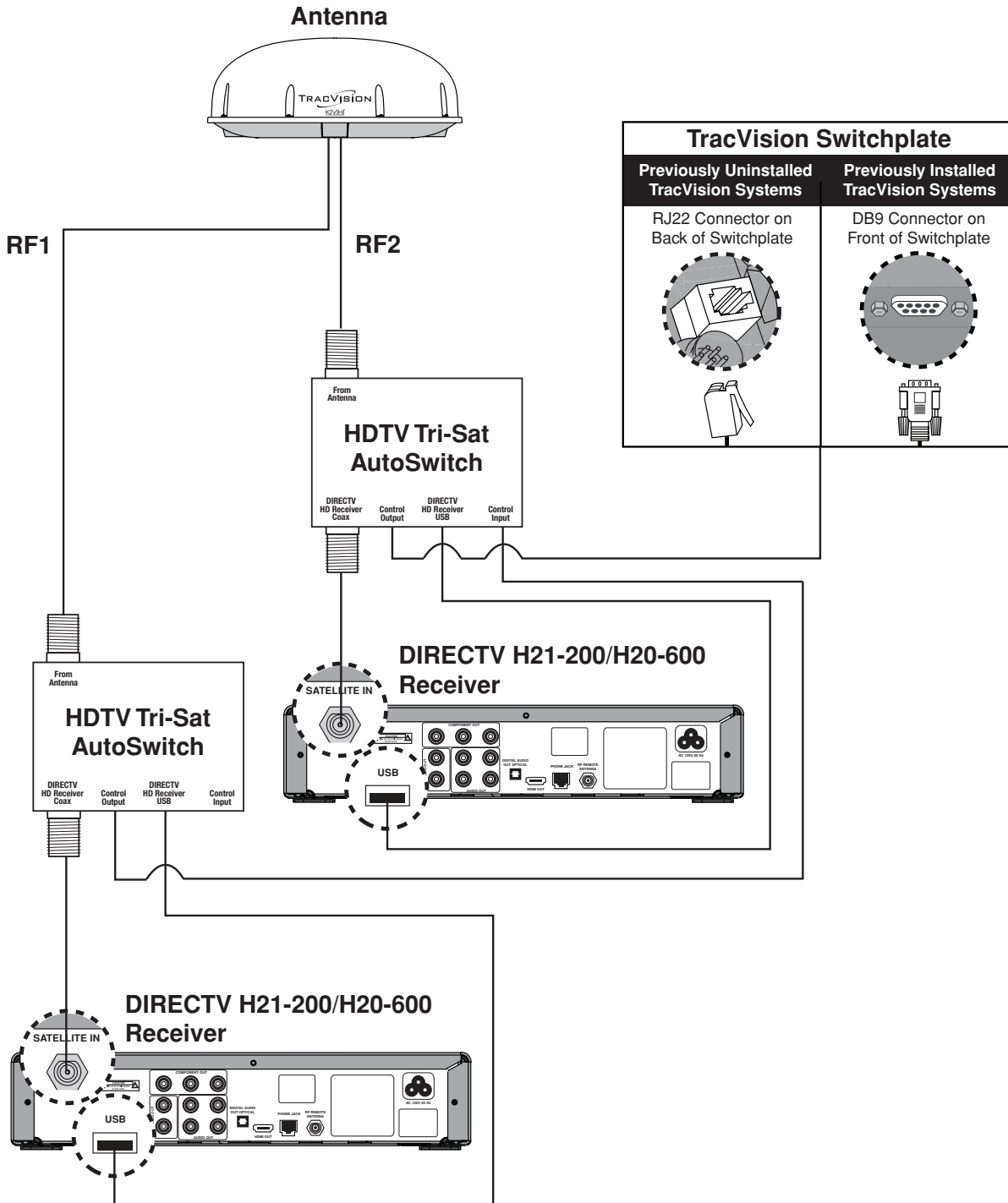


Appendix B - TracVision R5SL/R4SL/R5/R4 Wiring Diagrams

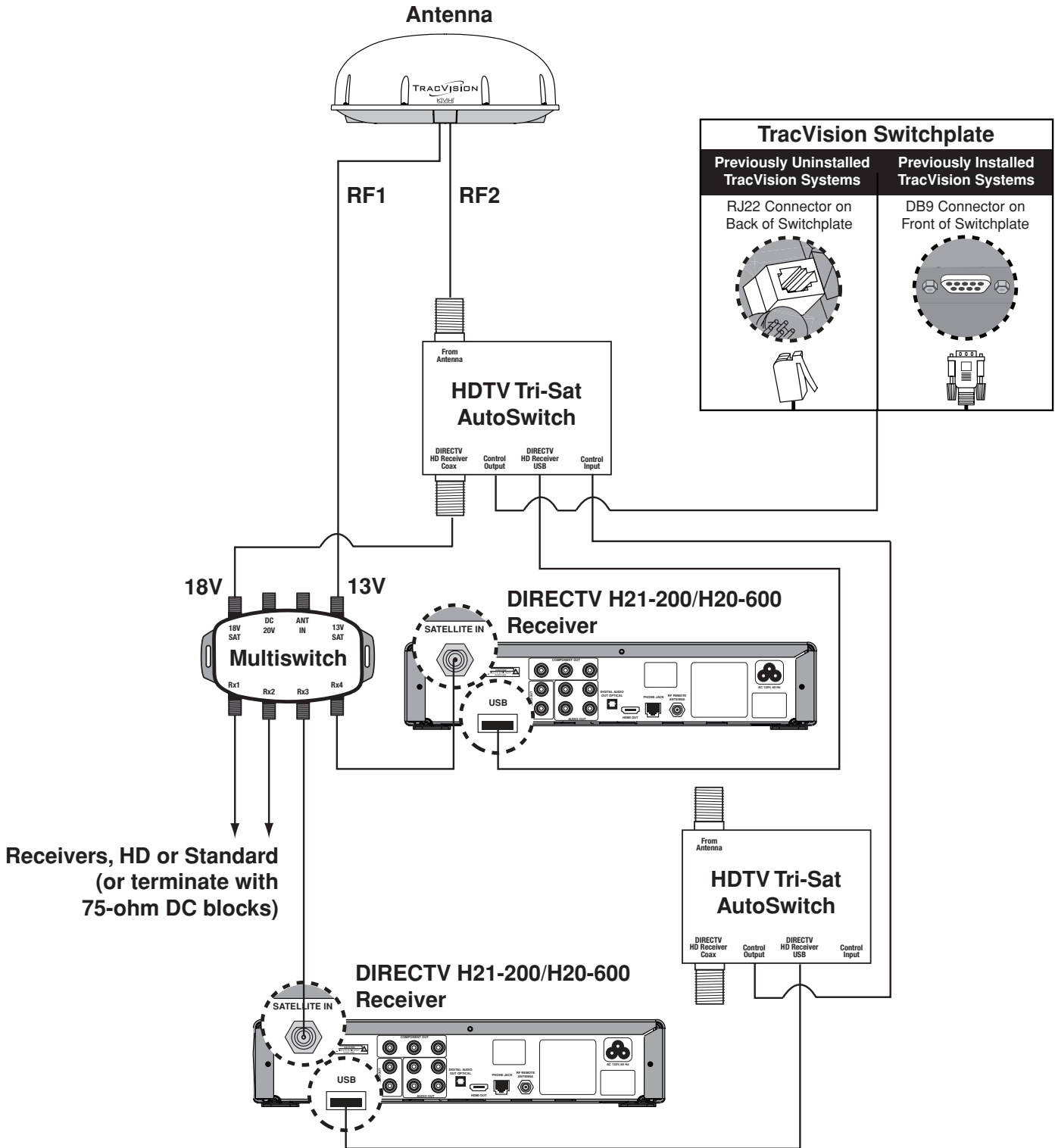
Use the table below to determine the wiring diagram for your configuration.

To Install:	Refer to:
HDTV Tri-Sat AutoSwitch Kit, 2 DIRECTV H21-200 or H20-600 Receivers, and 1 Additional Tri-Sat AutoSwitch	<i>Page 11</i>
HDTV Tri-Sat AutoSwitch Kit, 2 DIRECTV H21-200 or H20-600 Receivers, 1 Additional Tri-Sat AutoSwitch, and 1 or 2 Additional Receivers	<i>Page 12</i>
HDTV Tri-Sat AutoSwitch Kit, 2 DIRECTV H21-200 or H20-600 Receivers, 1 Additional Tri-Sat AutoSwitch, and 1 DVR	<i>Page 13</i>

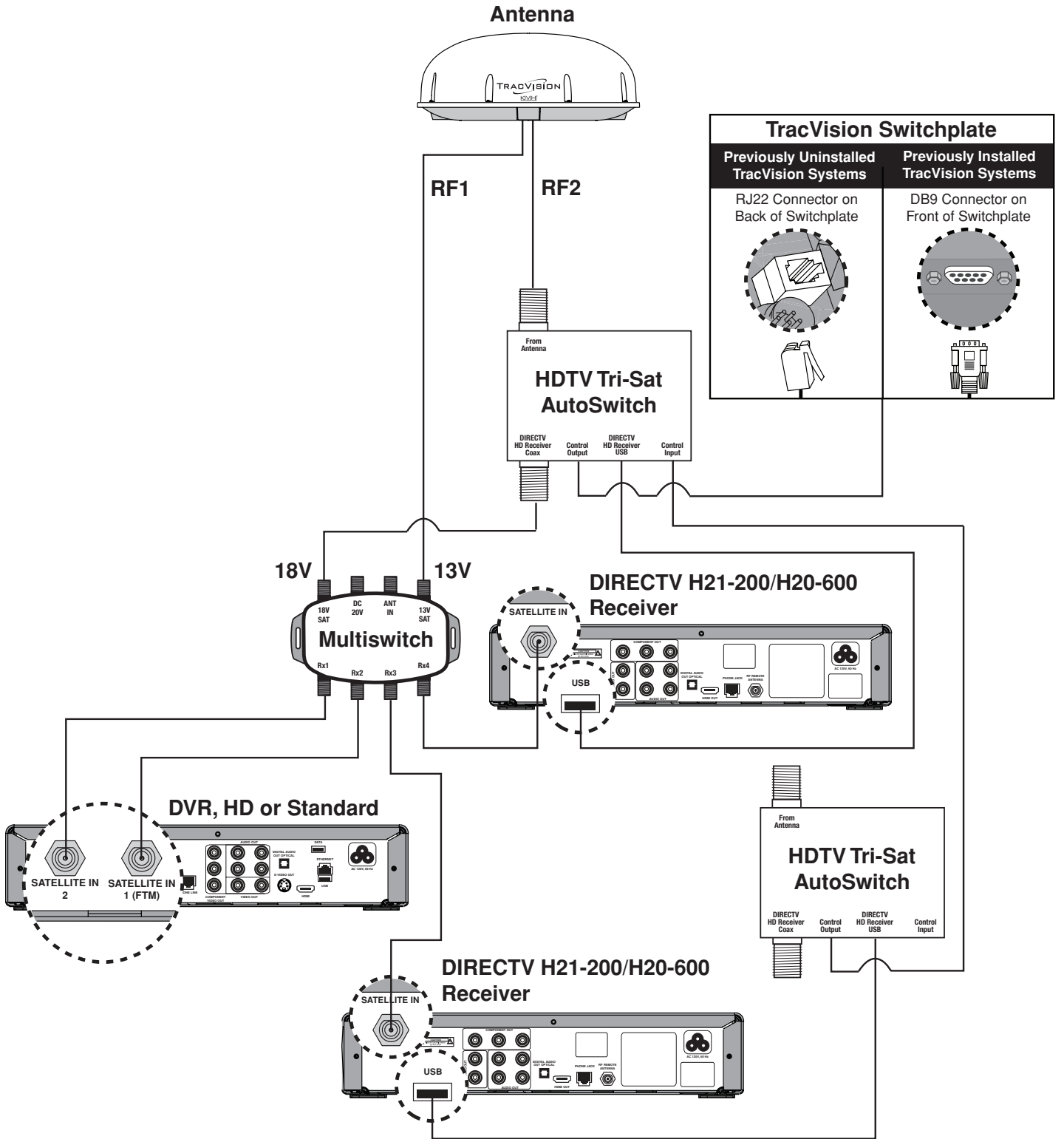
Wiring Diagram - HDTV Tri-Sat AutoSwitch Kit, 2 DIRECTV H21-200 or H20-600 Receivers, and 1 Additional Tri-Sat AutoSwitch



Wiring Diagram - HDTV Tri-Sat AutoSwitch Kit, 2 DIRECTV H21-200 or H20-600 Receivers, 1 Additional Tri-Sat AutoSwitch, and 1 or 2 Additional Receivers



Wiring Diagram - HDTV Tri-Sat AutoSwitch Kit, 2 DIRECTV H21-200 or H20-600 Receivers, 1 Additional Tri-Sat AutoSwitch, and 1 DVR



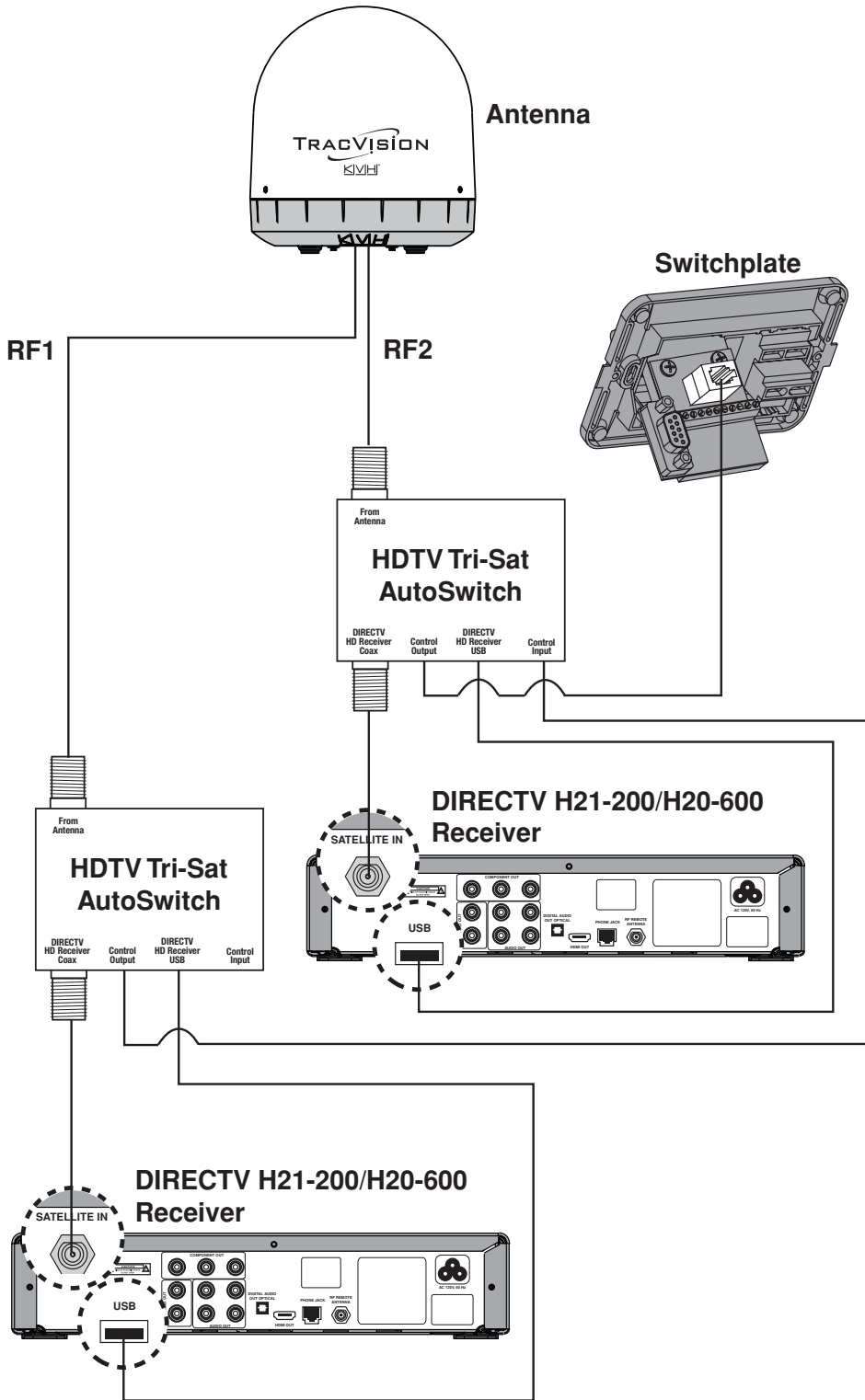


Appendix C - TracVision M5/M7 - Multi-Sat Control Panel (MCP) Configuration

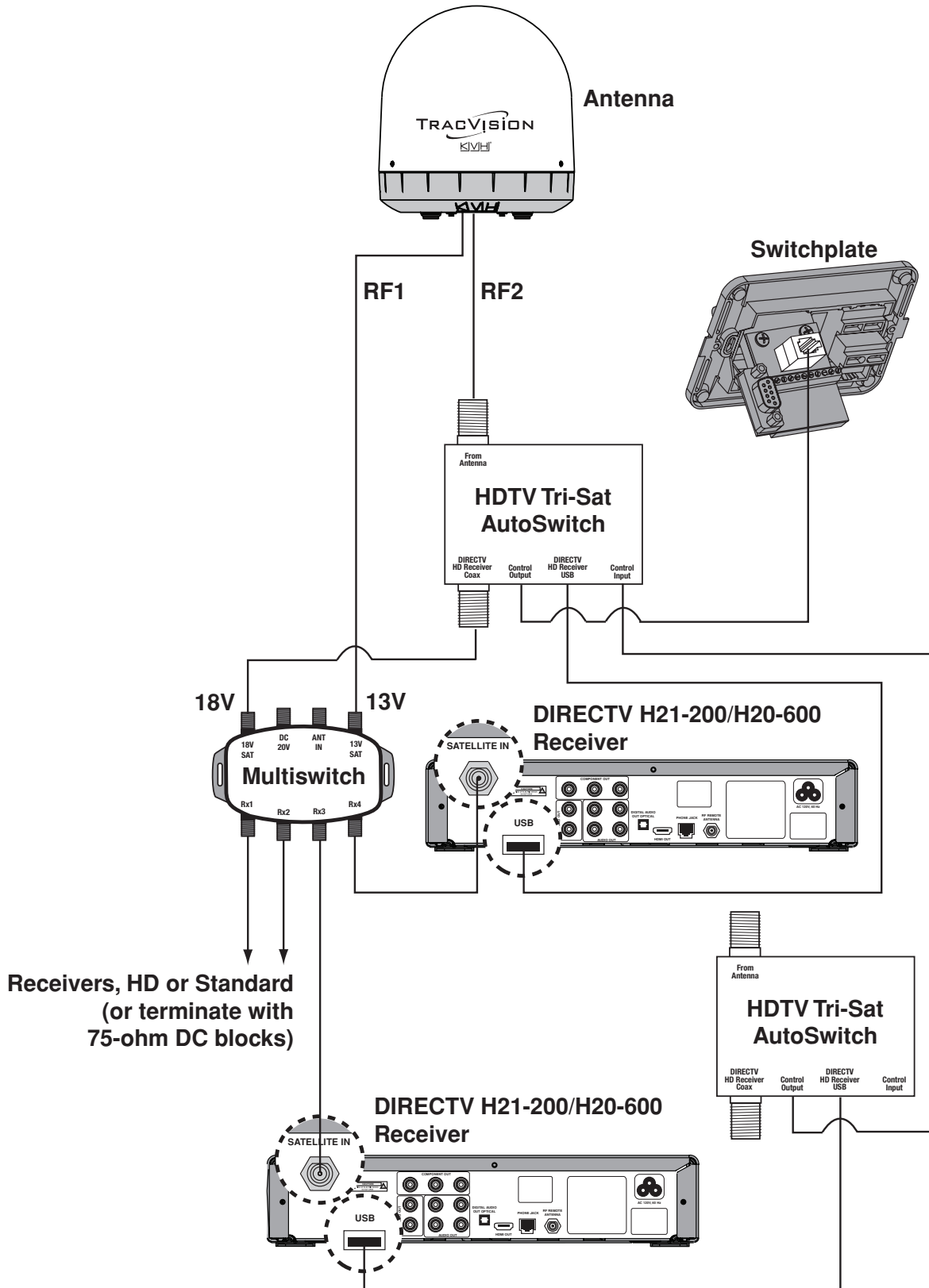
Use the table below to determine the wiring diagram for your configuration.

To Install:	Refer to:
HDTV Tri-Sat AutoSwitch Kit, 2 DIRECTV H21-200 or H20-600 Receivers, and 1 Additional Tri-Sat AutoSwitch	<i>Page 17</i>
HDTV Tri-Sat AutoSwitch Kit, 2 DIRECTV H21-200 or H20-600 Receivers, 1 Additional Tri-Sat AutoSwitch, and 1 or 2 Additional Receivers	<i>Page 18</i>
HDTV Tri-Sat AutoSwitch Kit, 2 DIRECTV H21-200 or H20-600 Receivers, 1 Additional Tri-Sat AutoSwitch, and 1 DVR	<i>Page 19</i>

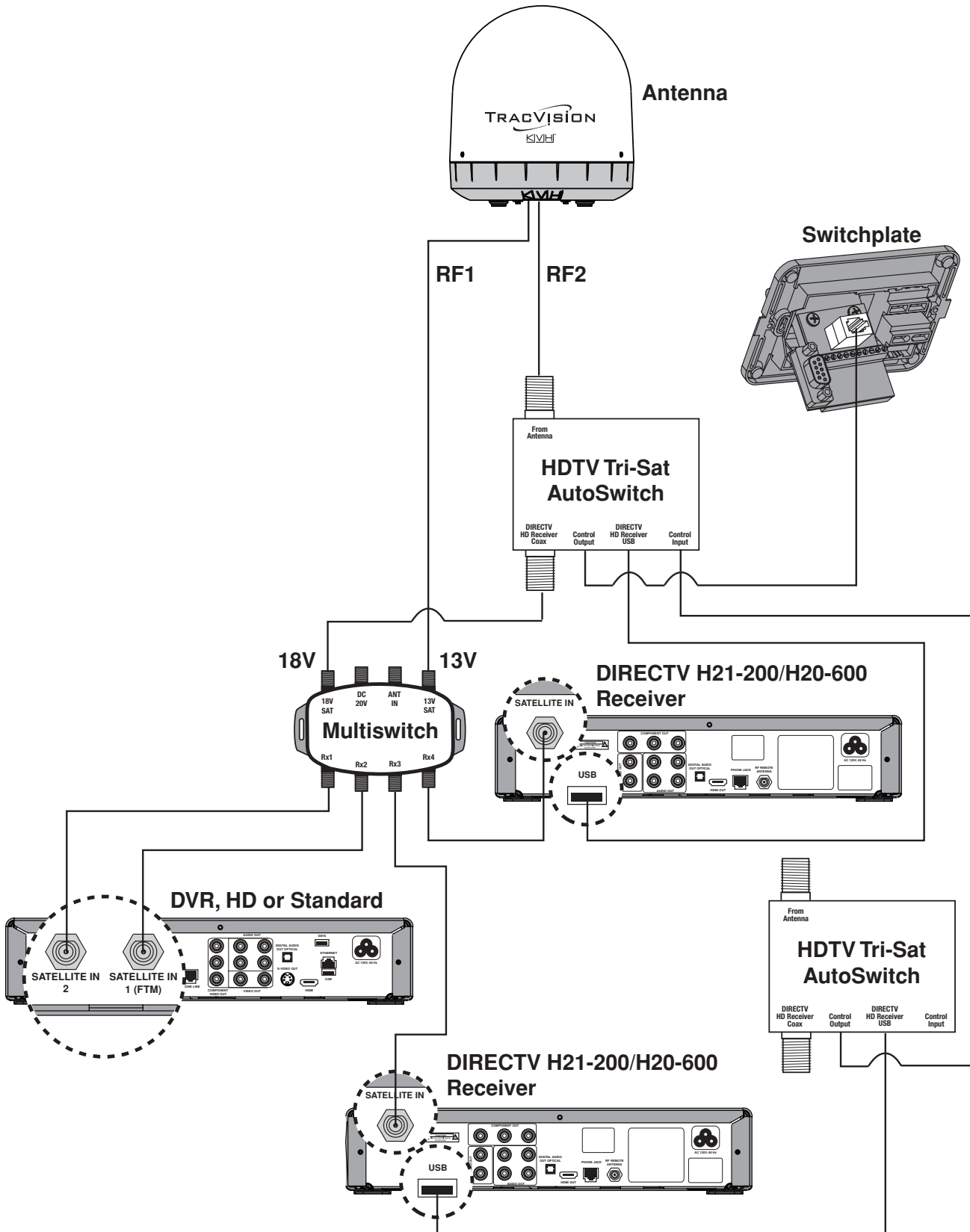
Wiring Diagram - HDTV Tri-Sat AutoSwitch Kit, 2 DIRECTV H21-200 or H20-600 Receivers, and 1 Additional Tri-Sat AutoSwitch



Wiring Diagram - HDTV Tri-Sat AutoSwitch Kit, 2 DIRECTV H21-200 or H20-600 Receivers, 1 Additional Tri-Sat AutoSwitch, and 1 or 2 Additional Receivers



Wiring Diagram - HDTV Tri-Sat AutoSwitch Kit, 2 DIRECTV H21-200 or H20-600 Receivers, 1 Additional Tri-Sat AutoSwitch, and 1 DVR



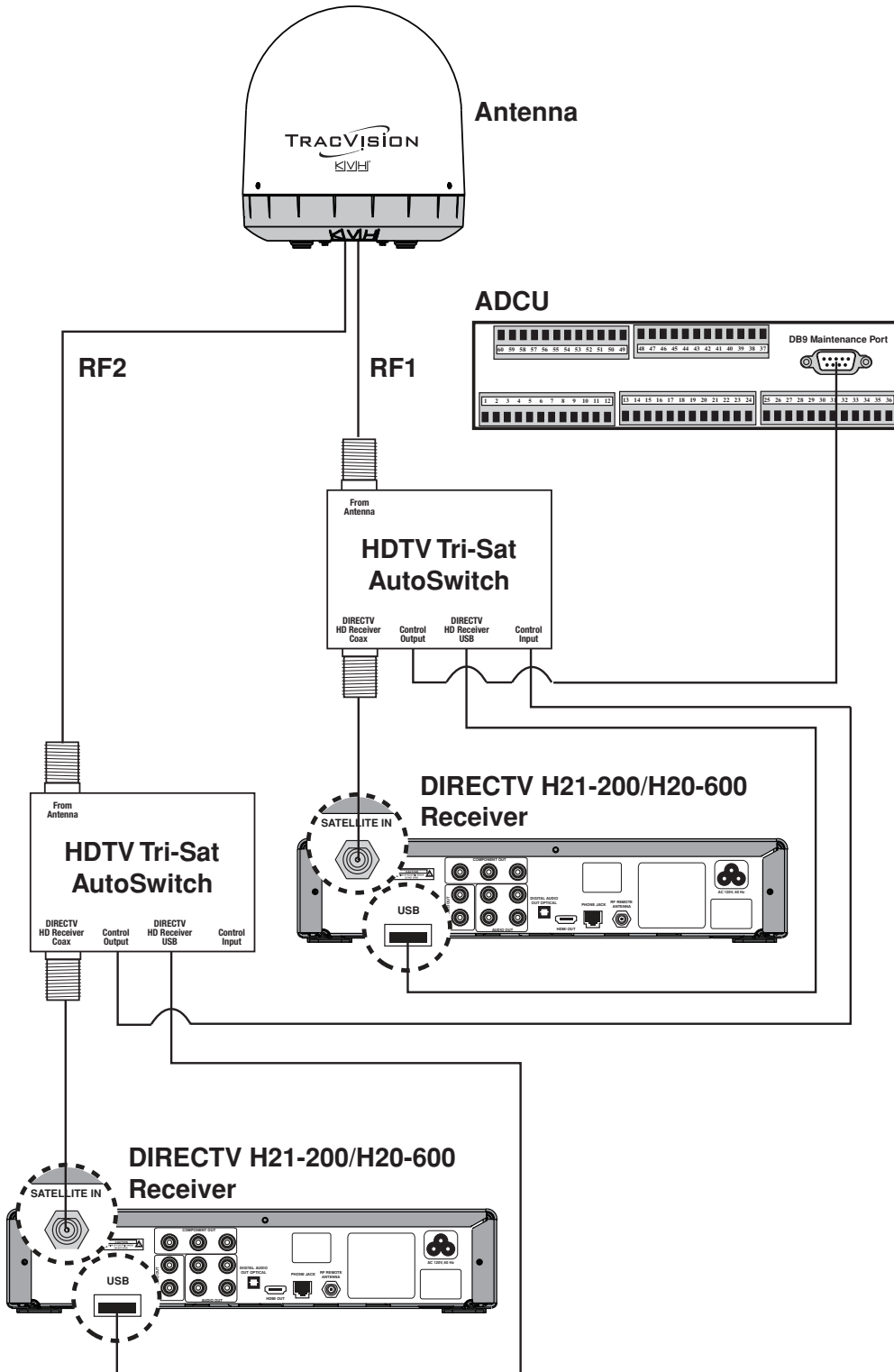


Appendix D - TracVision M5/M7 - GyroTrac Configuration

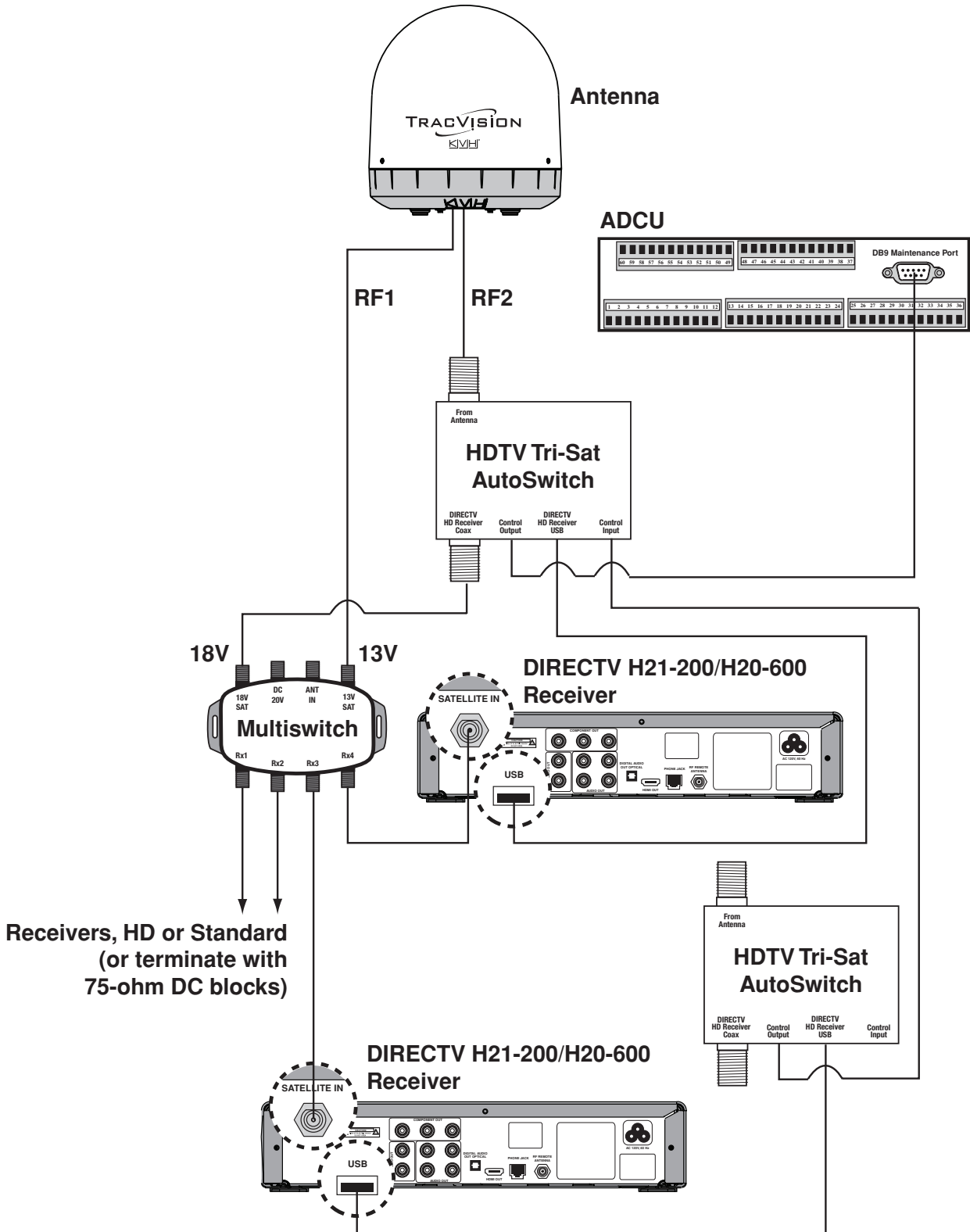
Use the table below to determine the wiring diagram for your configuration.

To Install:	Refer to:
HDTV Tri-Sat AutoSwitch Kit, 2 DIRECTV H21-200 or H20-600 Receivers, and 1 Additional Tri-Sat AutoSwitch	<i>Page 23</i>
HDTV Tri-Sat AutoSwitch Kit, 2 DIRECTV H21-200 or H20-600 Receivers, 1 Additional Tri-Sat AutoSwitch, and 1 or 2 Additional Receivers	<i>Page 24</i>
HDTV Tri-Sat AutoSwitch Kit, 2 DIRECTV H21-200 or H20-600 Receivers, 1 Additional Tri-Sat AutoSwitch, and 1 DVR	<i>Page 25</i>

Wiring Diagram - HDTV Tri-Sat AutoSwitch Kit, 2 DIRECTV H21-200 or H20-600 Receivers, and 1 Additional Tri-Sat AutoSwitch

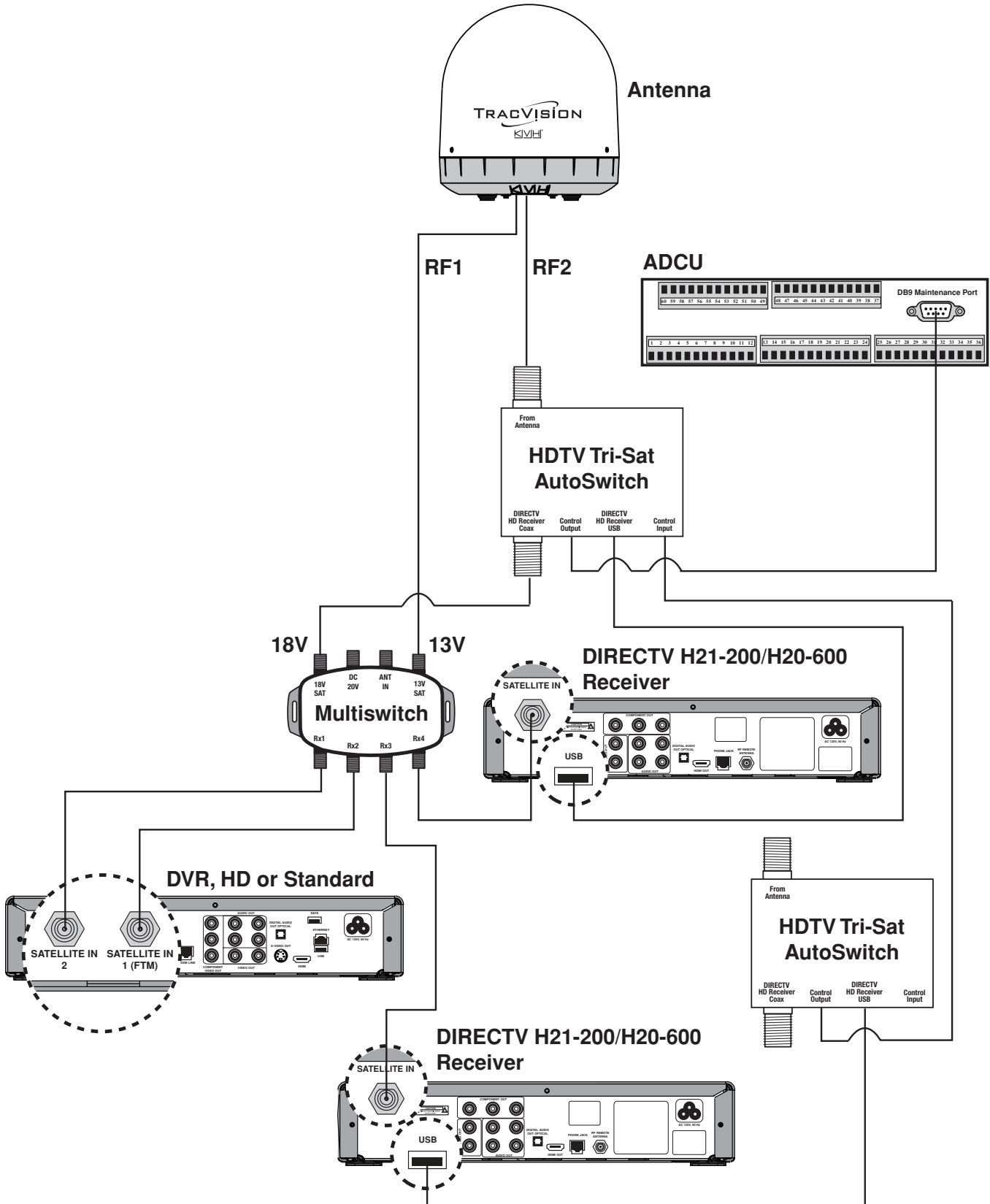


Wiring Diagram - HDTV Tri-Sat AutoSwitch Kit, 2 DIRECTV H21-200 or H20-600 Receivers, 1 Additional Tri-Sat AutoSwitch, and 1 or 2 Additional Receivers



Receivers, HD or Standard
 (or terminate with
 75-ohm DC blocks)

Wiring Diagram - HDTV Tri-Sat AutoSwitch Kit, 2 DIRECTV H20-600 Receiver, 1 Additional Tri-Sat AutoSwitch, and 1 DVR



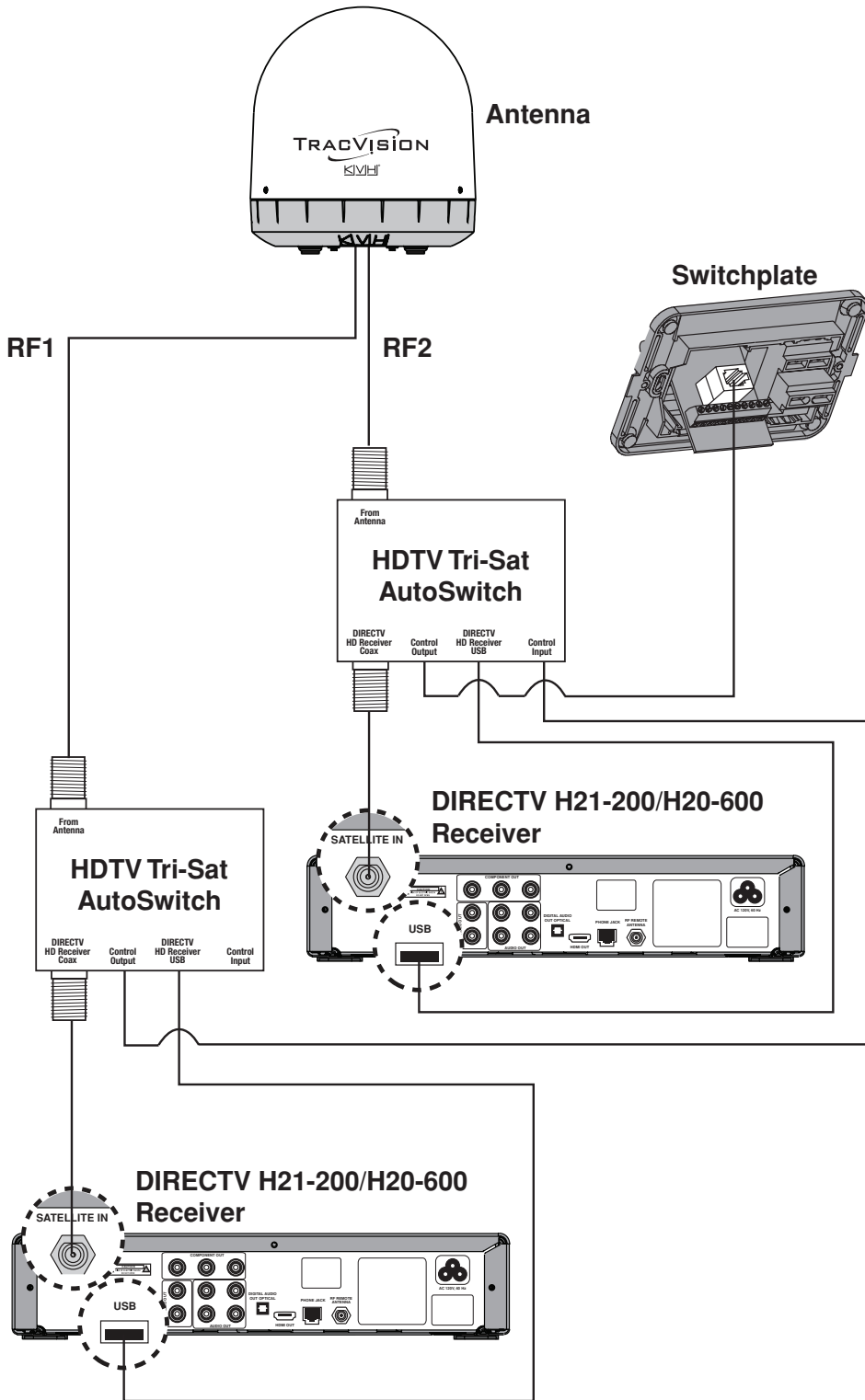


Appendix E - TracVision M5/M7 - Switchplate Configuration

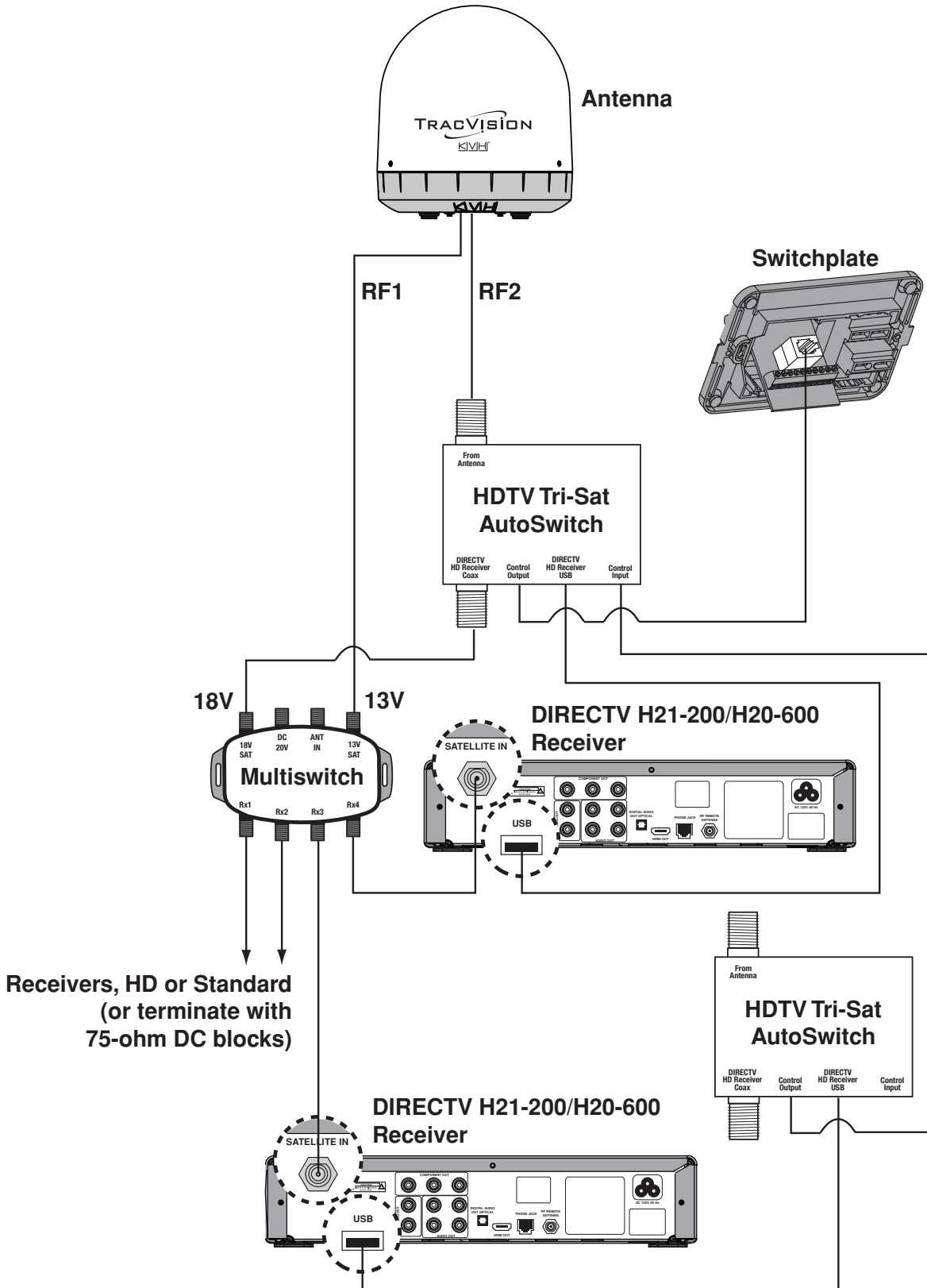
Use the table below to determine the wiring diagram for your configuration.

To Install:	Refer to:
HDTV Tri-Sat AutoSwitch Kit, 2 DIRECTV H21-200 or H20-600 Receivers, and 1 Additional Tri-Sat AutoSwitch	<i>Page 29</i>
HDTV Tri-Sat AutoSwitch Kit, 2 DIRECTV H21-200 or H20-600 Receivers, 1 Additional Tri-Sat AutoSwitch, and 1 or 2 Additional Receivers	<i>Page 30</i>
HDTV Tri-Sat AutoSwitch Kit, 2 DIRECTV H21-200 or H20-600 Receivers, 1 Additional Tri-Sat AutoSwitch, and 1 DVR	<i>Page 31</i>

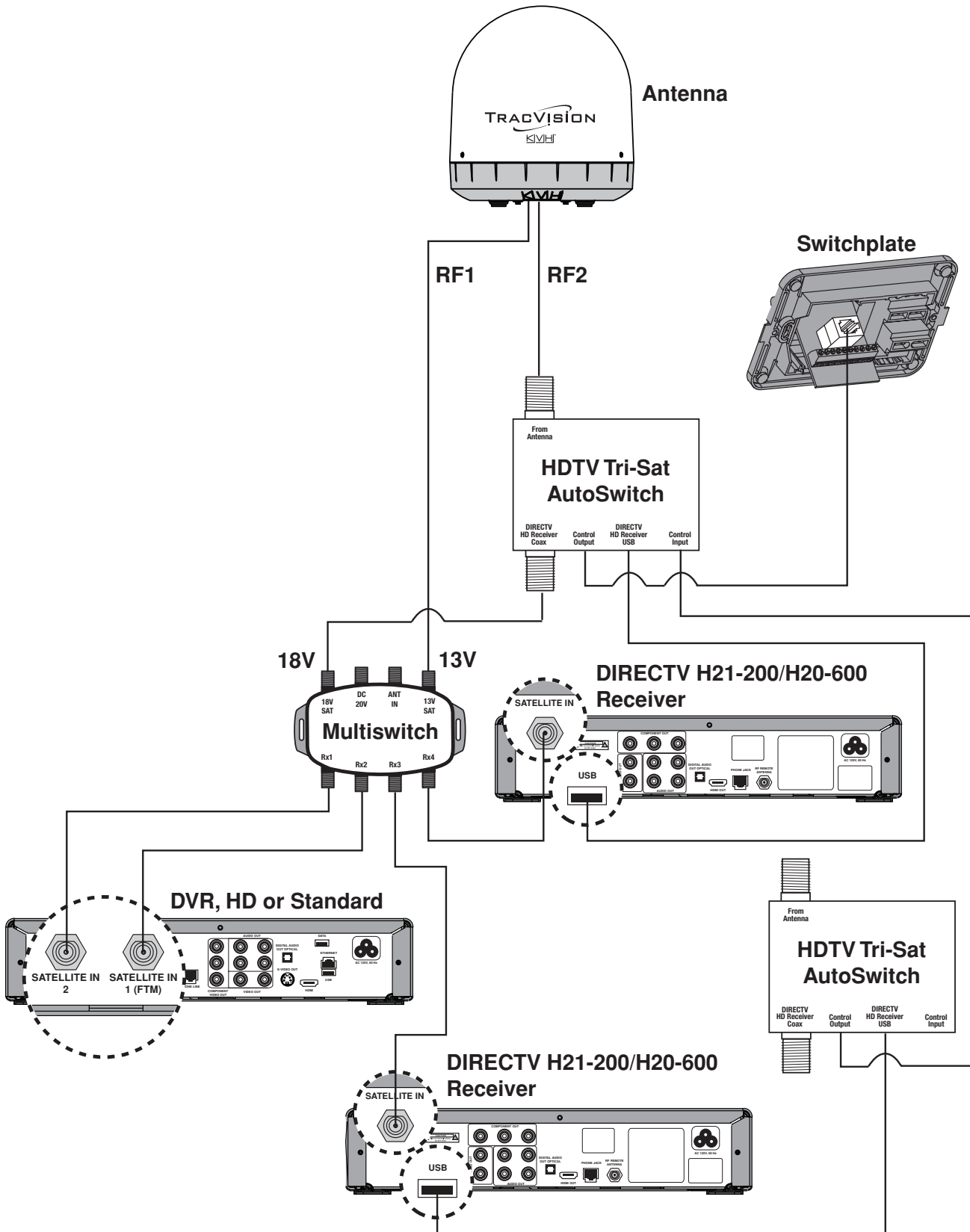
Wiring Diagram - HDTV Tri-Sat AutoSwitch Kit, 2 DIRECTV H21-200 or H20-600 Receivers, and 1 Additional Tri-Sat AutoSwitch



Wiring Diagram - HDTV Tri-Sat AutoSwitch Kit, 2 DIRECTV H21-200 or H20-600 Receivers, 1 Additional Tri-Sat AutoSwitch, and 1 or 2 Additional Receivers



Wiring Diagram - HDTV Tri-Sat AutoSwitch Kit, 2 DIRECTV H20-600 Receiver, 1 Additional Tri-Sat AutoSwitch, and 1 DVR



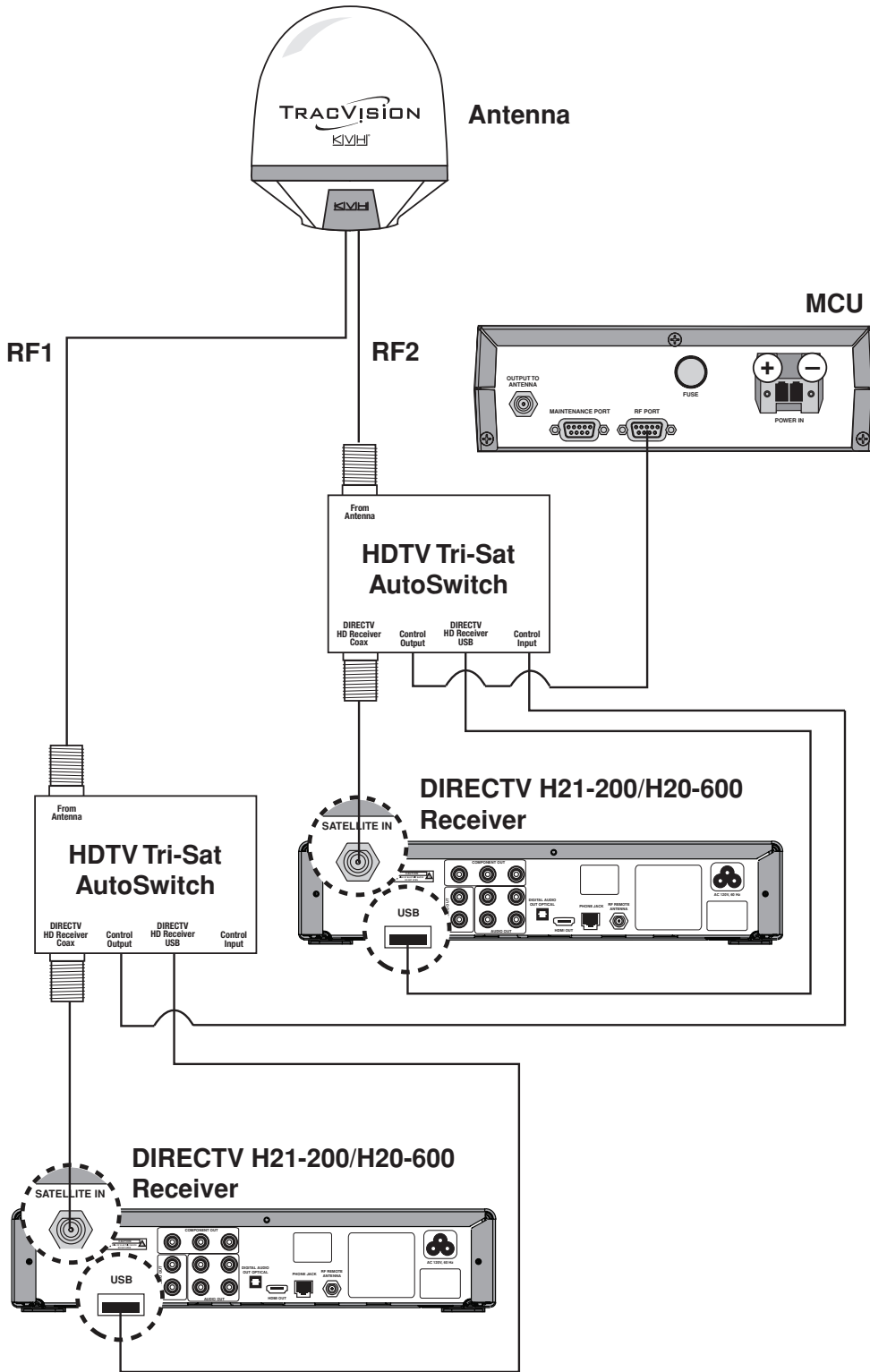


Appendix F - TracVision M9

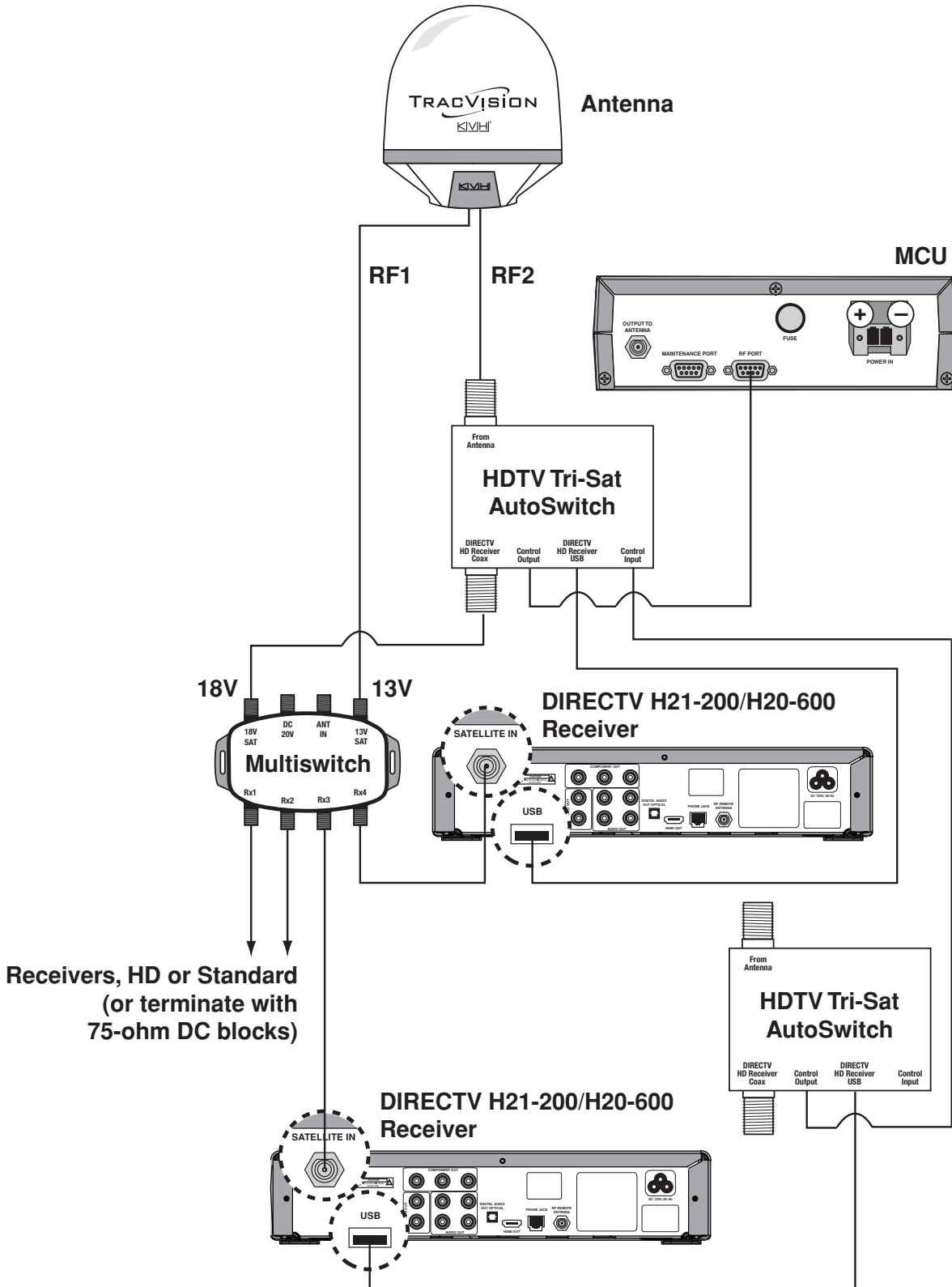
Use the table below to determine the wiring diagram for your configuration.

To Install:	Refer to:
HDTV Tri-Sat AutoSwitch Kit, 2 DIRECTV H21-200 or H20-600 Receivers, and 1 Additional Tri-Sat AutoSwitch	<i>Page 35</i>
HDTV Tri-Sat AutoSwitch Kit, 2 DIRECTV H21-200 or H20-600 Receivers, 1 Additional Tri-Sat AutoSwitch, and 1 or 2 Additional Receivers	<i>Page 36</i>
HDTV Tri-Sat AutoSwitch Kit, 2 DIRECTV H21-200 or H20-600 Receivers, 1 Additional Tri-Sat AutoSwitch, and 1 DVR	<i>Page 37</i>

Wiring Diagram - HDTV Tri-Sat AutoSwitch Kit, 2 DIRECTV H21-200 or H20-600 Receivers, and 1 Additional Tri-Sat AutoSwitch



Wiring Diagram - HDTV Tri-Sat AutoSwitch Kit, 2 DIRECTV H20-600 Receivers, 1 Additional Tri-Sat AutoSwitch, and 1 or 2 Additional Receivers



Wiring Diagram - HDTV Tri-Sat AutoSwitch Kit, 2 DIRECTV H20-600 Receivers, 1 Additional Tri-Sat AutoSwitch, and 1 DVR

