

# TracVision® R5SL/R4SL LNB Replacement Instructions

The following instructions explain how to replace the LNB in a TracVision R5SL/R4SL.

## Tools Required

- #1 Phillips screwdriver
- #2 Phillips screwdriver
- 7/16" open-end wrench

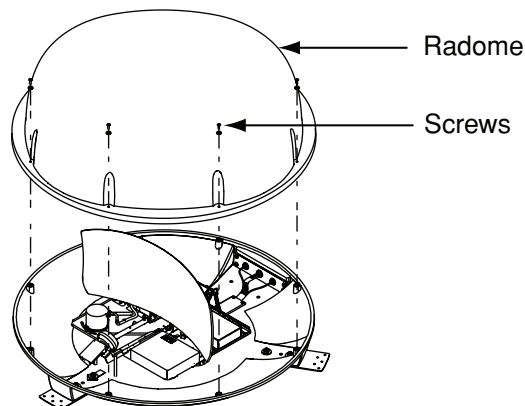


## CAUTION

For your own safety, be sure to disconnect power from all wired components before performing this procedure.

- a. Using a #2 Phillips screwdriver, remove the eight #10-32 screws securing the radome to the baseplate. Remove the radome and set it aside in a safe place.

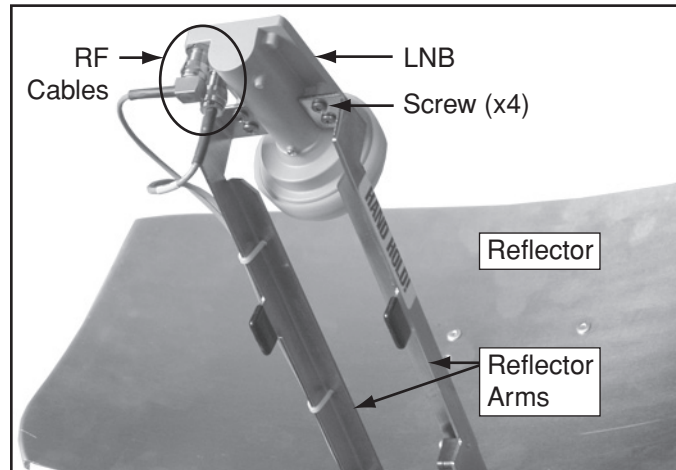
Figure 1 Radome Screws



- b. Using a 7/16" open-end wrench, disconnect both RF cables from the LNB.

*NOTE: Be sure to note the RF cable labels/connector types to ensure they are reconnected correctly later in this procedure.*

**Figure 2 LNB Screws/RF Cables**



- c. Using a #1 Phillips screwdriver, remove the four screws securing the LNB to the reflector arms. Then remove the LNB.
- d. Reverse this procedure to install the replacement LNB. Then reinstall the radome and reconnect power to the TracVision system.

*NOTE: When reconnecting the RF cables to the LNB, be sure not to overtighten the RF cable connectors.*

The procedure is complete! Be sure to return the old LNB to KVH.

*NOTE: Before returning the LNB, be sure to obtain an RMA number from KVH Technical Support and write the number clearly on the outside of the box. Shipments received without an RMA number will be returned to you at your expense.*